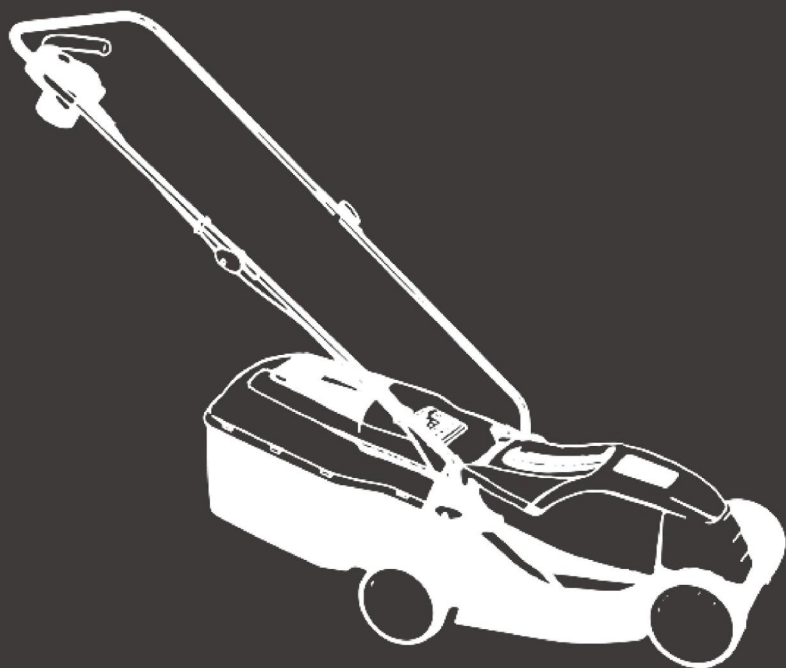


HYUNDAI
POWER PRODUCTS

ELECTRIC LAWN MOWER

HTDE1200

ORIGINAL INSTRUCTIONS



Warning: Please read this manual carefully before using the equipment!

CONTENTS

GENERAL SAFETY INSTRUCTIONS.....	3
TECHNICAL DATA.....	11
ASSEMBLY.....	13
OPERATION.....	15
MAINTENANCE AND STORAGE.....	18
DECLARATION CE.....	21

GENERAL SAFETY INSTRUCTIONS

A) LEARNING

- ✓ Please read the operating instructions carefully. Familiarize yourself with the controls and proper use of the device.
- ✓ Never allow children to use the device.
- ✓ Never allow persons unfamiliar with the operating instructions to operate the device.
- ✓ Local regulations may restrict the age of the user.
- ✓ Never operate the device in the presence of people, especially children, or pets.
- ✓ The user is responsible for accidents or risks of accidents to other people or their property.
- ✓ Use the lawnmower only for the purpose for which it was designed, namely mowing and collecting grass. Any other use might be dangerous and might damage the machine.

B) Preparation

- ✓ When using the device, dress appropriately, always wear sturdy shoes and long pants.
- ✓ Do not operate the device barefoot or with open sandals. Do not wear loose clothes or jewellery. Loose clothing, jewellery or long hair may be caught in moving parts.

- ✓ Wear protective glasses during use.
- ✓ Wearing a mask is recommended to prevent dust irritation.
- ✓ Before use, always perform a visual inspection, especially of the blade, making sure that the screws and knife assembly are neither worn nor damaged. Replace worn or damaged blades and all screws to maintain balance.
- ✓ Examine closely the area where you are going to use the mower and remove all objects that could be thrown by the machine (stones, twigs, wire, bones etc.).
- ✓ Before mowing, install and check the condition of the grass catcher.

C) WARNINGS AND HAZARDS

Moisture and electricity do not mix well.

The handling / connection of the cables should be done in a dry place.

Use a 30mA residual current device (RCD). Always avoid contact between an electrical plug or cable and a wet area (puddle or wet grass)

The connections between the cables and sockets should be waterproof. Only use the extensions with waterproof sockets by moulding or according to current standards, available on the market.

Power supply cables should not be of a lower quality than type H05RN-F. H05RR-f.H05WF.H05VVH2-F. For outdoor use, with a minimum cross-section of 1.5 m².

Attach the cable to its hook before starting

the equipment.

The permanent connection of any electrical device in a building should be performed by a qualified electrician, in accordance with current electrical standards.

A wrong connection can cause serious injury or death.

- ✓ Before connecting the device, check that the sockets and extension cords are in good condition. Do not use the device if it is damaged or worn.
- ✓ Never use the device if the guards are defective or without safety devices, such as the grass catcher in place.
- ✓ Use only an extension cord attached to a coupler according to IEC 60320-2-3 standard.

Use and operation

- ✓ Always direct the cable away from the device.
- ✓ Mow in daylight or under adequate artificial light.
- ✓ Avoid operating the device on wet grass or in the rain.
- ✓ Never run the lawnmower over the power cable.
- ✓ When mowing, the cable should always be behind the mower and in the area where the grass has already been cut.
- ✓ Use the cable hook to avoid unexpected disconnection of the cable.
- ✓ Make sure that the plug is properly inserted and avoid forcing the plug.

- ✓ Never pull the lawnmower by its power cable and never pull on the power cable to remove it from the socket.
- ✓ Do not expose the cable to heat sources. Do not allow it to come into contact with solvents, oil, fuels or sharp objects.
- ✓ If a cable is damaged during use, unplug the plug immediately. **DO NOT TOUCH THE CABLE BEFORE UNPLUGGING THE PLUG.**
- ✓ **Disconnect the device from power sources**
 - ✓ Every time you leave the device
 - ✓ Before you solve a problem.
 - ✓ Before checking, cleaning or working on the device.
 - ✓ If the device starts vibrating abnormally.
- ✓ Always be careful to your position on the slopes.
- ✓ Mow facing the slopes, never from top to bottom.
- ✓ Be extremely careful when changing direction on slopes.
- ✓ Do not mow on slopes higher than 20°.
- ✓ Walk, never run, never let yourself be pulled by the lawnmower.
- ✓ Be extremely careful when pulling the lawnmower towards yourself.
- ✓ Stop the engine if you have to tilt the lawnmower to transport it, when passing through areas other than grass, and when transporting it to another area to mow.
- ✓ Never operate the lawnmower with

defective guards or without safety devices, such as a deflector or grass catcher, which are not in place.

- ✓ On trailed or powered models, disengage before starting the engine.
- ✓ Turn the engine on with the engine switch on, carefully as instructed, and with your feet well away from the blade.
- ✓ Do not tilt the mower when you start the engine.
- ✓ Place the engine on a flat surface, without obstacles or excessively high grass.
- ✓ Do not place your hands or feet under rotating parts.
- ✓ When working on the grass catcher or ejection duct, always switch off the engine.
- ✓ Never lift or carry a lawnmower with the engine running.
- ✓ Stop the engine and disconnect the power cable:
 - ✓ Before performing any work behind the cutting deck or unlocking the blade and before checking, cleaning or working on the lawnmower.
 - ✓ After striking a foreign object, stop and disconnect the mower, check for damage and repair before restarting and operating it.
 - ✓ If the mower starts to vibrate abnormally, stop the mower, check and eliminate the cause of vibration.
 - ✓ When you leave the mower unattended.
- ✓ Stop the engine:
 - ✓ Every time you remove or replace the grass catcher.

- ✓ Before adjusting the cutting height of the grass.
- ✓ When mowing, always keep a safe distance from the rotating blade. This distance corresponds to the length of the handlebar.
- ✓ After a failure, immediately stop the engine, do not go on mowing, take the machine to an authorized service centre and ask for qualified personnel to solve the problem.




C) Maintenance and storage






- ✓ Regular maintenance is essential for safety and to maintain performance levels.
- ✓ Check all bolts, nuts and screws to ensure that the device is in good working conditions.
- ✓ Inspect the condition of the grass catcher frequently. It should always remain in perfect condition.
- ✓ Also inspect the deflector and all protection devices.
- ✓ Replace worn or damaged parts
- ✓ Use only original accessories and replacement parts.
- ✓ Store the device only in a dry place.
- ✓ To reduce the risk of fire, remove grass, leaves and excess grease from the mower and especially from the engine.
- ✓ Empty, clean the grass catcher and let it dry before storing.
- ✓ Periodically check the electrical cables and replace them if they are damaged or if the insulation has been damaged.
- ✓ Never touch a poorly insulated cable if it is still connected to the power supply. Unplug

the cable from the socket before any intervention.

- ✓ Wear sturdy gloves when removing and reassembling the blade.
- ✓ Check the balance of the blade after sharpening.
- ✓ For safety reasons, do not use the mower with worn cables or damaged parts.
- ✓ Parts should be replaced and not repaired.
- ✓ Use original spare parts.
- ✓ Non-equivalent quality parts can damage the mower and be dangerous to your safety.

D) Symbols

	<p>Waste from electrical products should not be disposed of with household waste. Please recycle them in the dedicated facilities.</p> <p>Check with your local authority or retailer for information on recycling.</p>
	<p>Complies with all regulatory standards in force in the EU country where the product is bought</p>
	<p>Risk of personal injury, death, or damage to the device in case of non-compliance. Read the instructions for use.</p>

	<p>Risk of splashing; keep people away.</p>
	<p>This product is doubly electrically insulated.</p>
	<p>Beware of sharp blades. The blades continue rotating after the engine has stopped. Unplug the device from the mains before maintenance, i.e. if the power cord is damaged.</p>
	<p>Guaranteed level of sound emission</p>
	<p>Keep the power cord away from cutting tools.</p>

TECHNICAL DATA

a) Parts list

1. Upper handle
2. Lower handle
3. Switch box
4. Grass collection compartment
5. Wheels
6. Motor protection
7. Cable hook



b) Technical data

- Voltage: 230-240V~50Hz
- Power index: 1200W
- No-load speed: 3450min⁻¹
- Cutting height: 25/45/65mm
- Cutting width: 320mm
- Protection class: II
- Degree protection: IPX4
- Net weight: 8.9 kg

Sound pressure level L_{pA} (measured at the operator level according to EN836): 80.1 dB(A), k=3dB(A)

Sound power level (measured according to European Directive 2000/14/EC: 92.2 dB(A), K=2.02dB(A)

Vibration value: K=3.24 m/s²; k=1.5 m/s²

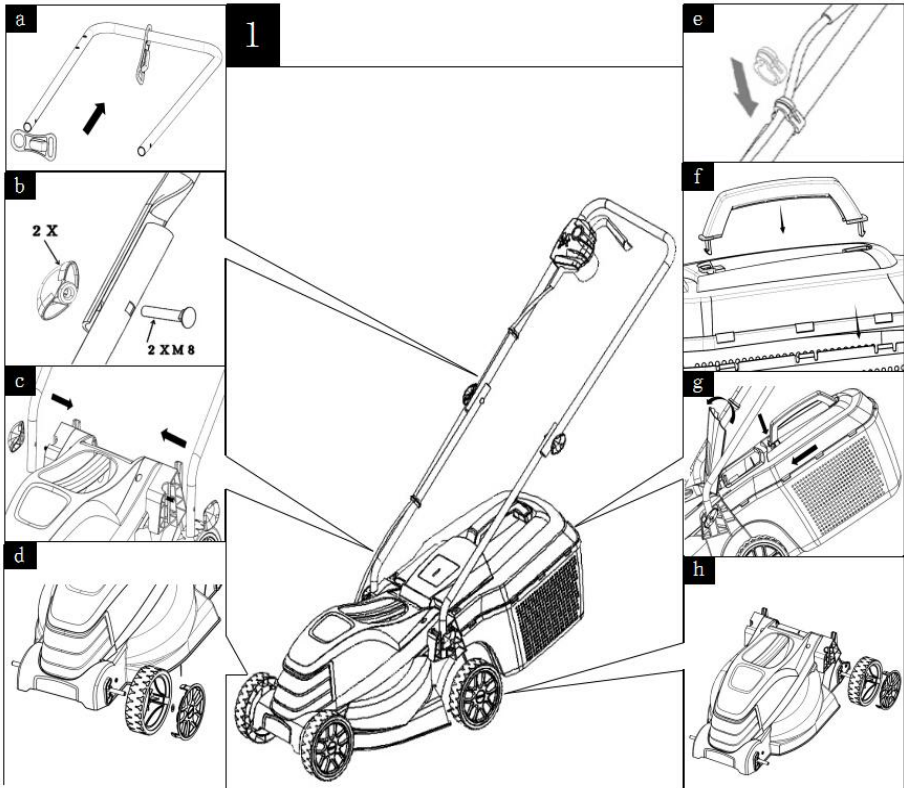
This tool is doubly insulated. It is equipped with two insulating sleeves to protect you from any possibility of electrical shock.

NOISE RELATED DATA

Guaranteed and declared noise intensity level: 96 db (A).

The noise level for the user may be higher than 85dB(A), therefore, hearing protection measures are needed.

ASSEMBLY INSTRUCTIONS



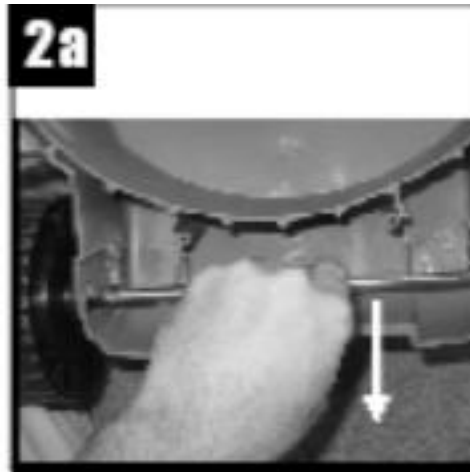
CUTTING HEIGHT ADJUSTMENT

To obtain the desired cutting height, the front and rear axles are repositioned on the underside of the mower housing.

Warning! Disconnect the mower from the power supply and ensure the blade has stopped coasting before adjusting the height.

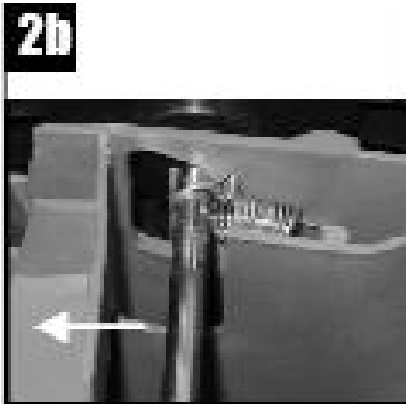
Note: Make sure the right and left rear wheels are adjusted to the same position corresponding to the cutting height.

1. To adjust the front wheel cutting height position (fig. 2a)
 - 1) Turn the mower upside down.
 - 2) Pull the wheel axle towards the front of the mower.
 - 3) Locate the wheel axle into the desired cutting height adjustment position.



Note: Make sure that both front right and left wheels are located in the same cutting height adjustment position.

2. To adjust the rear wheel cutting height position (fig. 2b)
 - 1) Turn the mower on its side.
 - 2) Pull the rear wheel axle towards the mower's catcher flap.
 - 3) Locate the wheel axle into the desire cutting height adjustment position.



Note: Make sure that both rear right and left wheel are located in the same cutting height adjustment position.

3. Cutting height positions (fig.2c)
 - 1) 25mm (lowest cutting height position)
 - 2) 45mm
 - 3) 65mm (highest cutting height position)



OPERATING

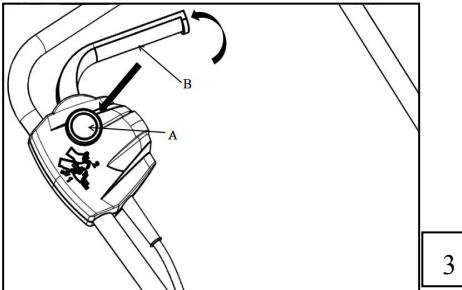
Connect to power supply

Warning! Before connecting to the mains supply, always check the switch is in off position. Connect the plug into the RCD protected power supply.

a. Starting

On/Off switch fig.3)

Caution! Do not start the mower if it is standing in long grass. Press the safety button (A) of the switch assembly and then pull the switch lever (B) against the bar. Keep the switch lever held whilst releasing the safety button. To stop the mower release the switch lever and it automatically returns to its off position.

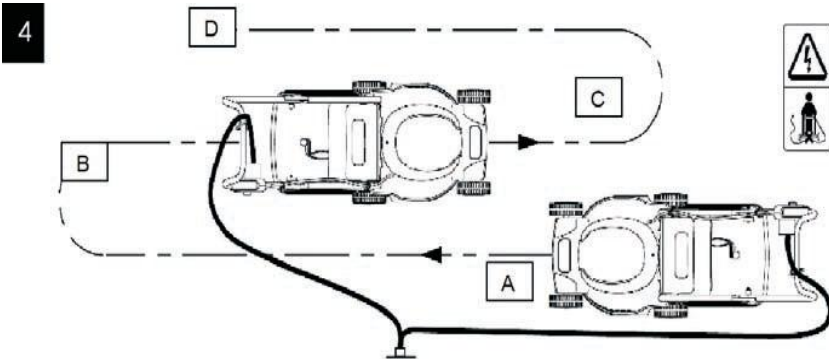


b. Mowing

We recommend using your lawnmower as described in this section to achieve optimal results and reduce the risk of cutting power cables.

- Place the main wiring close to the starting point A.
- Turn on the mower as described above.
- Proceed as described in figure 4 below.
- Change from position A to position B
- Turn right and change to position C.

- Turn left and change to position D.
- Repeat the above processes if needed.



c. Instructions for the grass catcher

Putting the grass catcher in place: Lift the deflector and place the grass catcher on the tabs.

Emptying the grass catcher: Before working on the grass catcher, switch off the engine and wait for the blade to fully stop.

When you see the grass scattering underneath the mowers, empty the grass catcher. However, never use the device without the grass catcher.

If you need to tighten the cutting blade, first make sure that your mower is not connected to a power supply, then as shown in the diagrams below, use a screwdriver to lock the pin, then use a wrench to tighten the blade.

Caution! Avoid working towards the cable.

MAINTENANCE AND STORAGE

1. Keep all nuts, bolts and screws firmly tightened to ensure that the mower can operate safely.
2. Check the mower deck and grass catcher frequently and make sure they are not worn or damaged.
3. Replace worn or damaged parts for your safety.
4. Be sure to use only the replacement blade, its nut and wrench specific for this product.
5. Be careful when adjusting the mower to prevent your fingers from getting caught between the moving blade and fixed parts of the machine.
6. Lubricate the wheel axles.
7. Store the mower in a dry place.
8. Do not wash the mower with plenty of water, wipe it with a dry cloth. Do not spray water or liquid on the engine and electrical components (switch, extension cord, plugs, etc.).

Blade maintenance

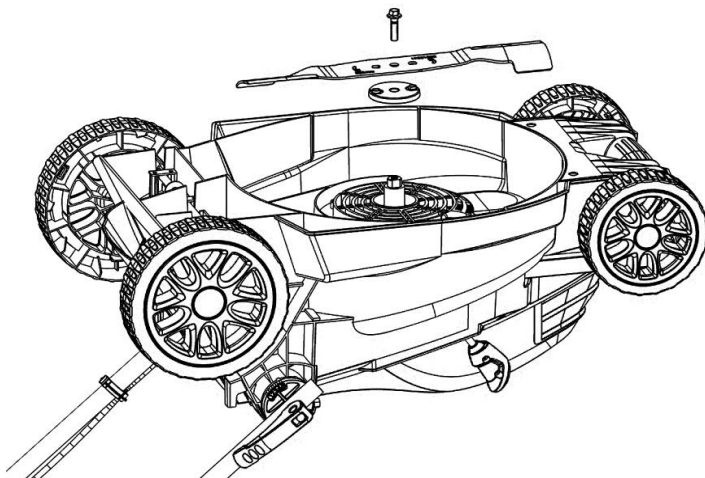
1. Remove grass and dirt from the blade regularly.
2. At the beginning of the gardening season, carefully examine the condition of the blade.
3. If the blade is very blunt, sharpen or replace it.
4. If the blade is damaged or worn, replace it.

Caution! Observe the following precautions:

5. Disconnect the mower from the area and wait until the blade has stopped rotating before proceeding.
6. Be careful not to cut yourself. Use strong work gloves or a cloth to grasp the blade.
7. Make sure to use only the specified replacement blade.
8. Do not remove the blade (A) under any circumstances.

Replacing the blade:

9. Put the machine on its side.
10. Place the ring on the engine shaft.
11. Place the blade, screw and spring washer.
12. Position the blade on the centring devices.



Warranty

We guarantee this product for 2 full years.

The warranty period for this item starts on the day of purchase. You can prove the date of purchase by sending us the original receipt.

We insure over the entire warranty period:

- Free repair of possible malfunctions.
- Free replacement of damaged parts.
- Including the free service of our specialized personnel (i.e. free assembly by our technicians)

Provided that the damage is not due to improper use of the device.

To help you with your product, we invite you to use this link or call us on +33 (0)9 70 75 30 30:

<https://services.swap-europe.com/contact>

You must create a "ticket" via their platform:

- Register or create your account
- Indicate the reference of the tool
- Choose the subject of your request
- Explain your problem
- Attach these files: Invoice or receipt, identification plate photo (serial number), photo of the part you need (eg broken transformer plug pins)





Declaration of conformity

BUILDER

ZI, 32 rue aristide Bergès – 31270 Cugnaux - France

Declares that the machinery designated below:

ELECTRIC MOWER

HTDE1200

Serial number: From XXXXXXXX to XXXXXXXXXX

Complies with the provisions of the Directive "machinery" 2006/42/EC and regulations

National transposing it;

Also complies with the following European directives:

EMC Directive 2014/30/EU

Noise Directive: 2000/14 / EC + Annex VI & 2005/88 / EC

Guaranteed sound power: 96 dB (A)

Sound power: 92.2 dB (A), K = 2.02dB (A))

RoHS Directive 2011/65/EU+2015/863/EU

Also complies with European standards, national standards and provisions following techniques:

EN 60335-1:2012/A13:2017; EN 60335-2-77:2010; EN 62233:2008

EN 55014-1 :2017; EN 55014-2 :2015; EN 61000-3-2 :2014; EN 61000-3-3:2013

**Certified body of the noise directive: TÜV SÜD Industrie Service GmbH, Westendstraße
199 80686 MÜNCHEN (Germany) Noise test code: 0036**

Done at Cugnaux, 11/03/2020

Philippe MARIE / CEO

HYUNDAI
POWER PRODUCTS

For Inquiries, please contact:

BUILDER SAS

32, rue Aristide Bergès Z1 31270 Cugnaux, France

Tél. : +33 (0) 5.34.502.502 Fax : +33 (0) 5.34.502.503

<http://www.hyundaipower-fr.com/>

Fabriqué en République Populaire de Chine (PRC)